

APPLICATION

Sudden interruption of current in an inductive circuit normally produces a high voltage surge. Damage to contacts occurs due to arcing. In thyristor or Triac Circuits incorrect functioning may result due to high dv/dt.

The LCR RC network will suppress arcing and also reduce dv/dt.

The RC network also suppresses radio interference over a wide frequency range.

Capacitance uF	Resistor ohm	Width mm	Height mm	Depth mm
0.047	47	25.0	18.5	9.0
0.047	100	25.0	18.5	9.0
0.100	22	25.0	18.5	9.0
0.100	47	25.0	18.5	9.0
0.100	100	25.0	18.5	9.0
0.100	470	25.0	18.5	9.0
0.220	22	25.0	18.5	9.0
0.220	47	25.0	18.5	9.0
0.220	100	25.0	18.5	9.0
0.220	470	25.0	18.5	9.0
0.470	47	32.0	24.0	13.0
0.470	100	32.0	24.0	13.0

SPECIFICATION

Capacitance Range	See table
Resistance	See table
Voltage Rating	250 V AC (class x)
Power Rating	½ Watt
Temperature Range	-55°C to +100°C
Humidity Classification	50/100/56
Insulation Resistance	>30,000 Megaohms
Terminations: FE-SP-CR FE-SP-HDR FE-SP-B-HDR	Radial: 0.6mm TCW Min 25mm long Wire: 0.8mm Copper PVC Wire/Tab: 0.8mm Copper PVC
: 9!GD!< 8 F 'UbX': 9!GD!6 !< 8 F 'Ure also available k]h '% gk ['k]fY'i pon request	
Approvals	BS, EN, ISO 9001-2008

Sudden interruption of current in an inductive circuit normally produces a high voltage surge. Damage to contacts occurs due to arcing.

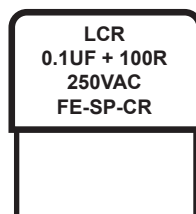
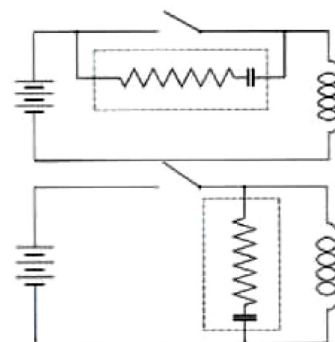
In Thyristor or Triac circuits incorrect functioning may result due to high dV/dt.

The LCR RC network will suppress arcing and also reduce dV/dt.

The RC network also suppresses radio interference over a wide frequency range.

SPECIFICATION

Capacitance	0.01-0.1 ±10%
Resistance	47-470 ohms ±10%
Voltage Rating	250 VAC
Power Rating	1/2 watt
Temperature Range	-55°C to +100°C
Climatic Category	55/100/56
Insulation Resistance	>30,000 MΩ



Length:	22mm
Height:	19mm
Thickness:	8mm
Lead Spacing:	22.5mm
Terminations:	0.8mm tinned copper wire min. length 30mm res wire 25mm